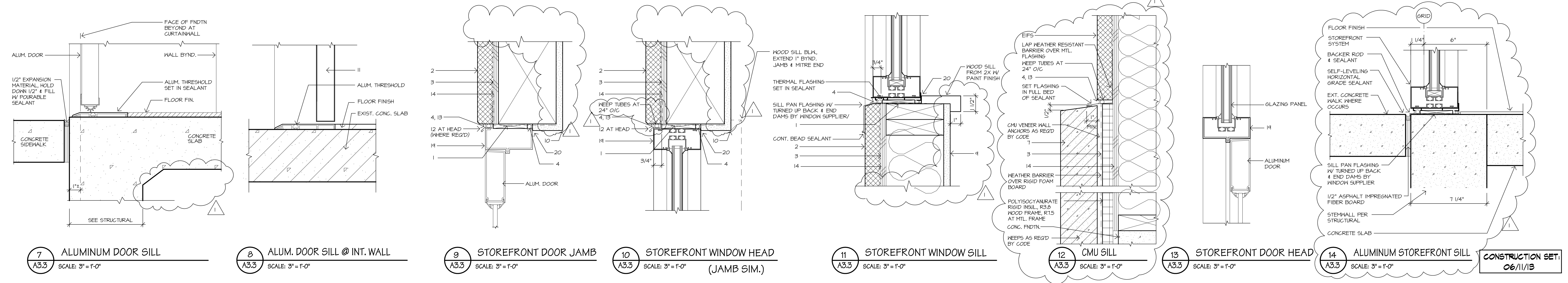
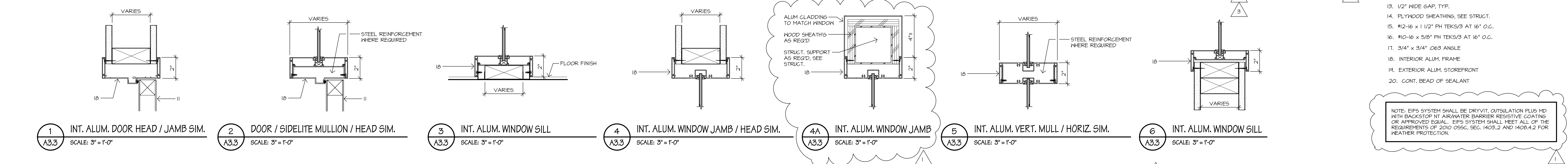


DETAIL MATERIAL LEGEND

1. EIFS MANUF. REQ'D WATERPROOF WRAP AROUND ALL FOUR SIDES OF WINDOW/DOOR ROUGH OPENING TYP.
2. EIFS
3. COMMERCIAL AIR & WATER BARRIER
4. BACKER ROD & SEALANT, TYP.
5. STUDS / SEE STRUCTURAL
6. INSULATION / SEE SPECS.
7. 1/4" CMU VENEER
8. MOOD FURRING
9. 5/8" GYPSUM BOARD
10. CONT. GYP. BD./METAL EDGE
11. DOOR AS SCHEDULED
12. METAL DRIP FLASHING
13. 1/2" WIDE GAP, TYP.
14. PLYWOOD SHEATHING, SEE STRUCT.
15. #12-16 x 1 1/2" PH TKS/3 AT 16" O.C.
16. #10-16 x 5/8" PH TKS/3 AT 16" O.C.
17. 3/4" x 3/4" .063 ANGLE
18. INTERIOR ALUM. FRAME
19. EXTERIOR ALUM. STOREFRONT
20. CONT. BEAD OF SEALANT

NOTE: EIFS SYSTEM SHALL BE DRYVIT, OUTSULATION PLUS HD WITH BACKSTOP RT AIR/WATER BARRIER RESISTIVE COATING OR APPROVED EQUAL. EIFS SYSTEM SHALL MEET ALL OF THE REQUIREMENTS OF 2010 UBC, SEC. 1403.2 AND 1403.4.2 FOR WEATHER PROTECTION.



REVISIONS

NO.	DATE	DESCRIPTION
1	4/26/13	CITY CORRECTIONS
2	5/13/13	APPENDIX #1
3	7/05/13	CONF. FRAMING RM.
4	8/27/13	EXPRESS SERV. ADDTN.
5		
6		

DRAWINGS
EXTERIOR & INTERIOR WINDOW ELEVATIONS & DETAILS

PROJECT # 1116
CAD FILE 1116.rvt
SCALE 1/4" = 1'-0"
DATE 11/16/2012
DRAWN BY: CK